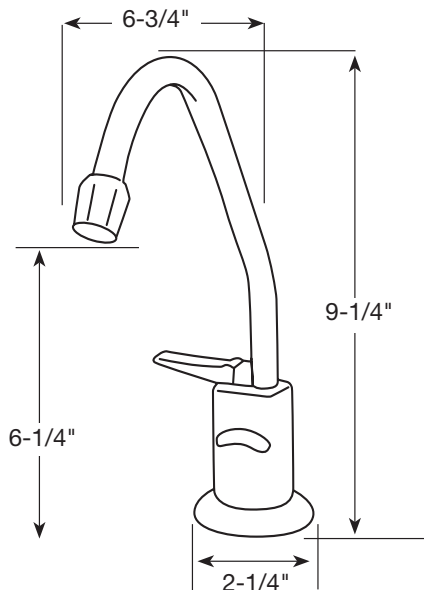


MODEL	DESCRIPTION	FINISH	PART #
<b>ELITE SERIES LVH500</b>	EverHot Lead Free Hot Only Water Dispenser	<b>FAUCET &amp; EVERHOT TANK</b>	
<b>HOT ONLY</b>	Shipping Wt: 10 lbs.	CHROME COLOR	WI-LVH500H-CH
<b>WITH LONG REACH SPOUT</b>	Includes faucet, EverHot tank, 3' cord, & tubing.	BISCUIT	WI-LVH500H-BS
	Certified to NSF/ANSI Standard 61 and California Proposition 65.	BLACK	WI-LVH500H-BK
<b>FAUCET ONLY</b>	Shipping Wt: 3 lbs.	WHITE	WI-LVH500H-WH
		<b>SPECIAL</b>	
		POLISHED NICKEL	WI-LVH500H-PN
		SATIN CHROME	WI-LVH500H-SC
		SATIN NICKEL	WI-LVH500H-SN
		<b>PREMIUM</b>	
		OIL RUBBED BRONZE	WI-LVH500H-ORB
		POLISHED BRASS-PVD	WI-LVH500H-PB
		STAINLESS STEEL	WI-LVH500H-SS

**UPGRADE SYSTEM TO A  
STAINLESS STEEL TANK  
FOR \$100.**  
Add **-SS** to end of part number

**Dimensions:**  
Height: 9-1/4"  
Reach: 6-3/4"  
Spout Diameter: 1/2"  
Hole Size Required: 1-1/4"



<b>FAUCET ONLY</b>	
CHROME COLOR	WI-FA500H-CH
BISCUIT	WI-FA500H-BS
BLACK	WI-FA500H-BK
WHITE	WI-FA500H-WH
<b>SPECIAL</b>	
POLISHED NICKEL	WI-FA500H-PN
SATIN CHROME	WI-FA500H-SC
SATIN NICKEL	WI-FA500H-SN
<b>PREMIUM</b>	
OIL RUBBED BRONZE	WI-FA500H-ORB
POLISHED BRASS-PVD	WI-FA500H-PB
STAINLESS STEEL	WI-FA500H-SS

**For Reverse Osmosis  
see our 500 Hot Only Air Gap faucet**

**Please call for pricing on any Finish/Faucet  
combinations not listed.**



**ELITE  
HOT ONLY**



Meets National Lead Laws including NSF 372 - 2011 Drinking Water System Components - Lead Content and S.3874, Reduction of Lead in Drinking Water Act, CAAB 1953 and VT Act 193.

The Everhot mark is used under license from Bradford White Corp.



**MAXIMUM recommended line pressure for this product is 75 PSI.** Pressure above 75 PSI indicates the absence of a properly functioning water pressure regulator at the property. Excessive water pressure poses a risk of property damage to you. Problems due to excessive water pressure are NOT covered by this product's warranty. **BEFORE** installation of any Water, Inc. product, confirm that water supply pressure does not exceed 75 PSI. Questions? Contact Water, Inc. Service Dept. at 800.322.WATER(9283)

Installations must comply with appropriate plumbing codes. Do not use vinyl tubing to connect any Water, Inc. Product to a water source. Polyethylene tubing is recommended for cold water applications.