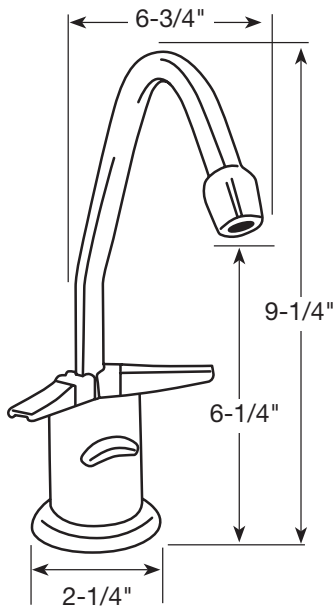


MODEL	DESCRIPTION	FINISH	PART #
ELITE SERIES LVH500	EverHot Lead Free Hot/Cold Water Dispenser	FAUCET & EVERHOT TANK	
HOT/COLD	Shipping Wt: 10 lbs.	CHROME	WI-LVH500HC-CH
WITH LONG REACH SPOUT	Includes faucet, EverHot tank, 3' cord, & tubing.	COLOR	
	Certified to NSF/ANSI Standard 61 and California Proposition 65.	BISCUIT	WI-LVH500HC-BS
	Chiller sold separately (see EverCold).	BLACK	WI-LVH500HC-BK
FAUCET ONLY	Shipping Wt: 3 lbs.	WHITE	WI-LVH500HC-WH
		SPECIAL	
		POLISHED NICKEL	WI-LVH500HC-PN
		SATIN CHROME	WI-LVH500HC-SC
		SATIN NICKEL	WI-LVH500HC-SN
		PREMIUM	
		ANTIQUE BRASS	WI-LVH500HC-AB
		ANTIQUE COPPER	WI-LVH500HC-AC
		OIL RUBBED BRONZE	WI-LVH500HC-ORB
		POLISHED BRASS-PVD	WI-LVH500HC-PB
		POLISHED COPPER	WI-LVH500HC-COP
		STAINLESS STEEL	WI-LVH500HC-SS
		WEATHERED BRASS	WI-LVH500HC-WB
		WEATHERED COPPER	WI-LVH500HC-WC
		PREMIUM PLUS	
		GOLD	WI-LVH500HC-GOLD
		SATIN GOLD	WI-LVH500HC-SG

Dimensions:
 Height: 9-1/4"
 Reach: 6-3/4"
 Spout Diameter: 1/2"
 Hole Size Required: 1-1/4"



**ELITE
HOT & COLD**

FAUCET ONLY	
CHROME	WI-FA500HC-CH
COLOR	
BISCUIT	WI-FA500HC-BS
BLACK	WI-FA500HC-BK
WHITE	WI-FA500HC-WH
SPECIAL	
POLISHED NICKEL	WI-FA500HC-PN
SATIN CHROME	WI-FA500HC-SC
SATIN NICKEL	WI-FA500HC-SN
PREMIUM	
ANTIQUE BRASS	WI-FA500HC-AB
ANTIQUE COPPER	WI-FA500HC-AC
OIL RUBBED BRONZE	WI-FA500HC-ORB
POLISHED BRASS-PVD	WI-FA500HC-PB
POLISHED COPPER	WI-FA500HC-COP
STAINLESS STEEL	WI-FA500HC-SS
WEATHERED BRASS	WI-FA500HC-WB
WEATHERED COPPER	WI-FA500HC-WC
PREMIUM PLUS	
GOLD	WI-FA500HC-GOLD
SATIN GOLD	WI-FA500HC-SG

Please call for pricing on any Finish/Faucet combinations not listed.

For use with reverse osmosis systems, use Elite Air Gap Module.

**UPGRADE SYSTEM TO A
STAINLESS STEEL TANK
FOR \$100.**

Add -SS to end of part number



Meets National Lead Laws including NSF 372 - 2011 Drinking Water System Components - Lead Content and S.3874, Reduction of Lead in Drinking Water Act, CAAB 1953 and VT Act 193.



The Everhot mark is used under license from Bradford White Corp.



MAXIMUM recommended line pressure for this product is 75 PSI. Pressure above 75 PSI indicates the absence of a properly functioning water pressure regulator at the property. Excessive water pressure poses a risk of property damage to you. Problems due to excessive water pressure are NOT covered by this product's warranty. **BEFORE** installation of any Water, Inc. product, confirm that water supply pressure does not exceed 75 PSI. Questions? Contact Water, Inc. Service Dept. at 800.322.WATER(9283)

Installations must comply with appropriate plumbing codes. Do not use vinyl tubing to connect any Water, Inc. Product to a water source. Polyethylene tubing is recommended for cold water applications.