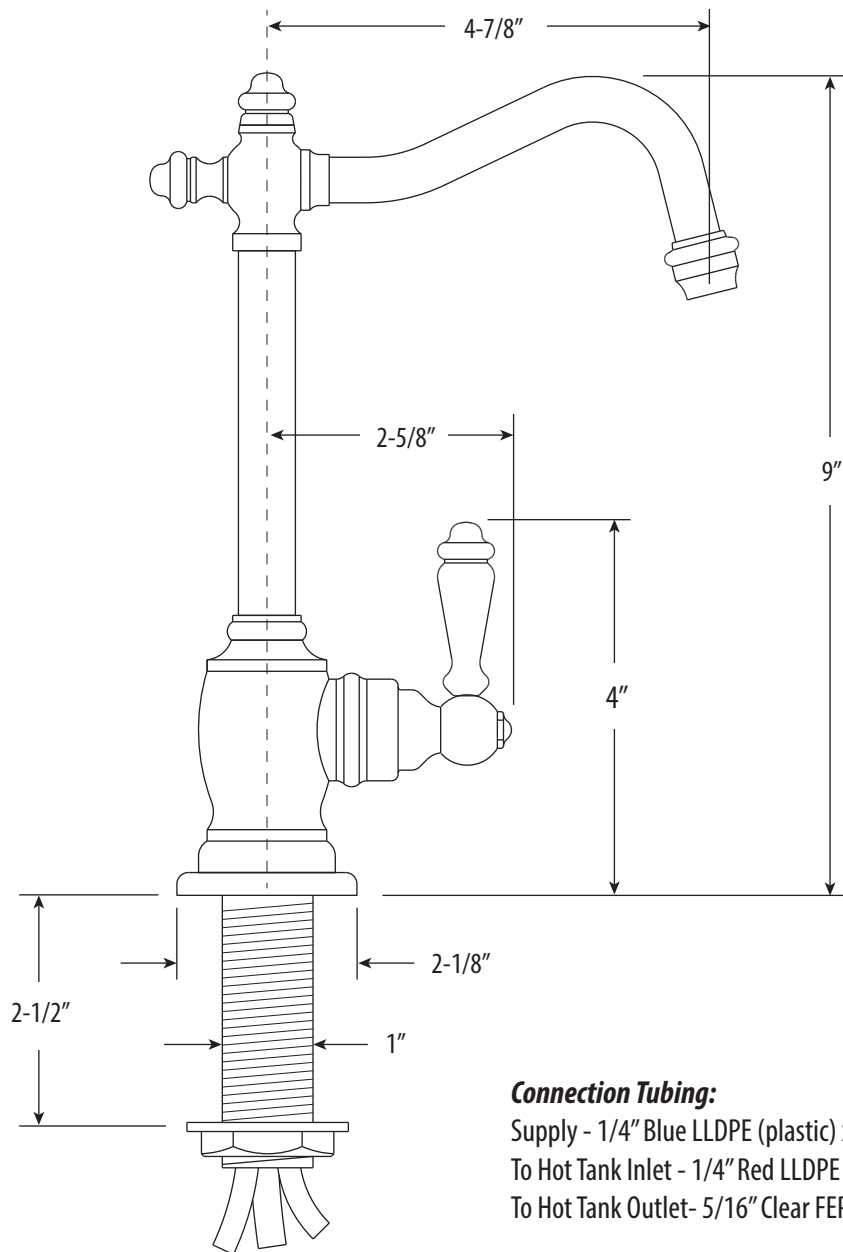


ANNAPOLIS HOT ONLY FILTRATION FAUCET / LEVER HANDLE

1100H

- MAX COUNTER THICKNESS 2-1/2"
- INSTALL HOLE SIZE ADAPTABLE UP TO 1-3/8"



Connection Tubing:

- Supply - 1/4" Blue LLDPE (plastic) x 48"
- To Hot Tank Inlet - 1/4" Red LLDPE (plastic) x 36"
- To Hot Tank Outlet- 5/16" Clear FEP x 36"

DIMENSIONS MAY VARY AND ARE SUBJECT TO CHANGE. NO RESPONSIBILITY IS ASSUMED FOR USE OF SUPERCEDED OR VOIDED DATA

