



On Sale

BTP 01

TULIP COLLECTION

Design Joël Dupras and WETSTYLE Design Lab



FEATURES

Handcrafted in Montreal, Canada

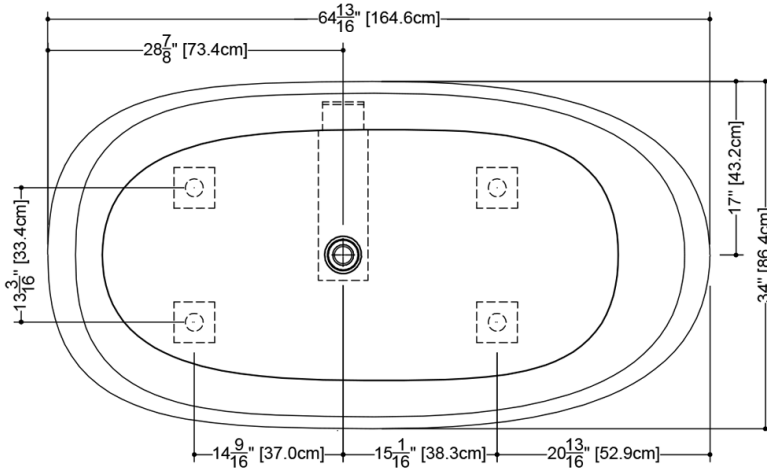
Integrated overflow

Soft toe touch drain

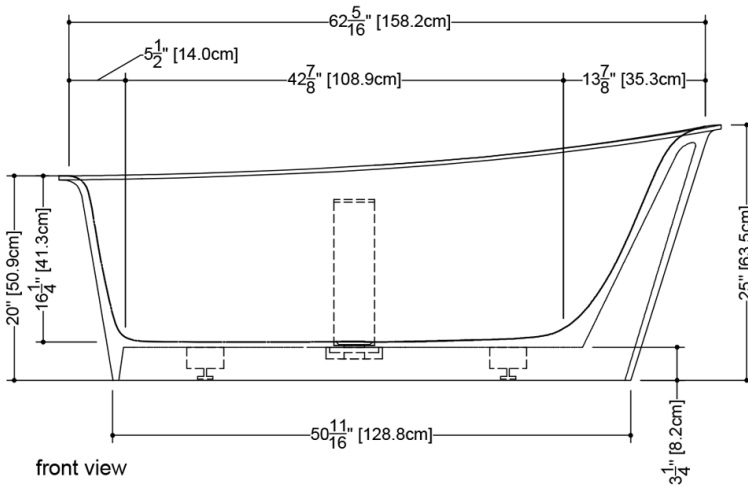
Plug & Bathe drain connection for quick install

TECHNICAL DETAILS




- **Width:** 34"
- **Length:** 64.81"
- **Height:** 25"
- **Weight:** 166 lbs / 75 kg

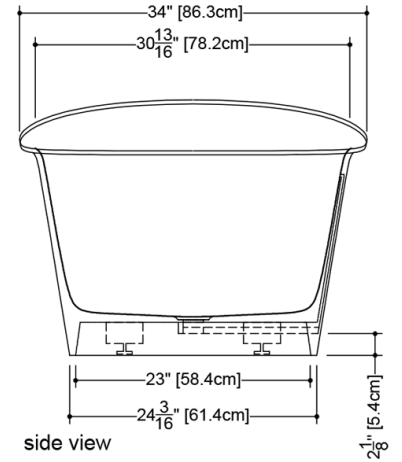


plan view



front view

- WETSTYLE Plug & Bathe™ overflow and drain connection system includes:**
-  Soft-touch pop-up drain, for built-in overflow. Fits both 1-1/2" ABS drain waste and 1-1/2" tubular brass waste and 1-1/2" tubular brass
 -  1-1/2" ABS Direct vertical drain waste fitting (copper/brass option also available)
 -  1-1/2" ABS 90° Elbow drain waste fitting (copper/brass option also available)

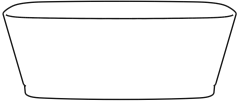


side view

BTP 01

WETSTYLE cannot be held responsible for any technical errors and reserves the right to make revisions without notice. Approximate measurement. The manufacturer accepts 1/4" (6.35mm) variance.

AVAILABLE CONFIGURATIONS



Freestanding

OPTIONS

Model

- BTP01-L - Freestanding Left
- BTP01-L - Freestanding Right

Drain Overflow Trim Finish

- Brushed Nickel Drain - No Trim Overflow (#BNNT)
- Brushed Nickel Drain and Overflow (#BN)
- Matte Black Drain - No Trim Overflow (#MBNT)
- Matte Black Drain and Overflow (#MB)
- Polished Chrome Drain - No Trim Overflow (#PCNT)
- Polished Chrome Drain and Overflow (#PC)
- Satin Brass Drain - No Trim Overflow (#SBNT)
- Satin Brass Drain and Overflow (#SB)

WETMAR BiO Finish

- White Dual (#DA)
- White Matte (#MA)
- White True High Gloss (#GA)

Plumbing Connection

- Copper/Brass Connection - local code dependant (#COP)
- Standard ABS Connection

CODES/STANDARDS APPLICABLES

IAPMO-ANSI Z124.1
IAPMO-ANSI Z124.3
CSA B 45.0
CSA B 45.4
Mass Board Approved

FAUCET AREA RECOMMENDED

Wall-mounted or floor-mounted