

**Features**

- The PMGKIT is used only when you wish to gang a Profiles Mirror between cabinets and/or lights, creating the proper spacing and depth for the mirror.
- Can be used in recessed or surface mounted installations
- Includes installation hardware

**Construction**

- Galvanized steel
- Safeseal® Gasket
- Aluminum mounting blocks

**Dimensions**

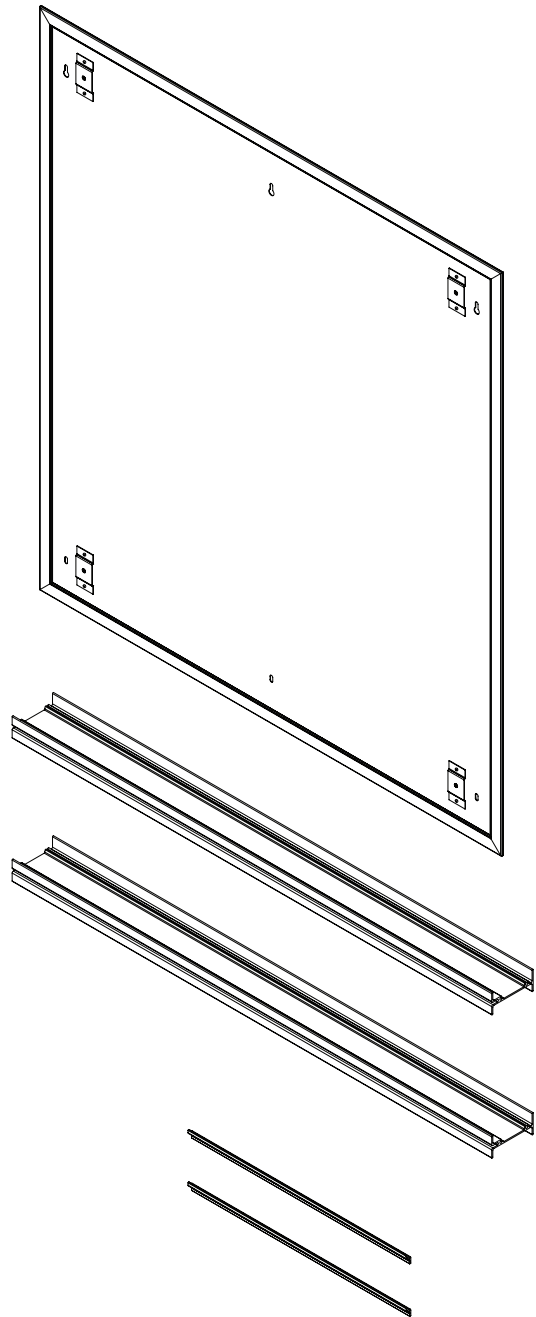
Height: 39-3/8" (1000 mm)  
 Width: 36" (914 mm)  
 Depth: 4-11/16" (119 mm) When surface mounted  
 15/16" (24 mm) When recessed

**Options**

- Other widths / heights

**Installation Options**

- Gang to Profiles Mirror** - Reference Profiles Mirror when ordering - PM3640T
- Surface Mount: Mirror to Cabinets (Instruction 209-1301)
  - Surface Mount: Mirror to Lights (Instruction 209-1300)
  - Recessed Cabinets and/or Lights (Instruction 209-1290)



**Model Number Key**

| Profiles | Mirror | Ganging Kit | Width | Height |
|----------|--------|-------------|-------|--------|
| P        | M      | GKIT        | 36    | 40     |

